



behind every beautiful  
fireplace is an **Isokern.**



The Isokern brand has been a part of the construction industry for over sixty years. Known for their exceptional insulation value and ease of installation, Isokern products were introduced in the United States in 1987. For the past 16 years, Isokern has been at the forefront of modular masonry hearth systems in the construction and remodeling industries. Isokern is synonymous with quality, efficiency and affordability.

Isokern products are made with volcanic pumice extracted from Hekla Volcano in Iceland. Pumice stone is a natural material and is the primary component of the Isokern makeup. Unlike lower altitude pumice, Icelandic pumice contains less organic material in its make up resulting in a dense, cleaner raw material. This pumice does not expand or contract with temperature change, reducing the possibility of cracking and structural damage. Pumice is also lightweight, allowing for quick and consistent fireplace and chimney system installation.

Isokern systems are manufactured under strict quality assurance and testing guidelines. This detail orientated approach ensures that each firebox or chimney component produced measures up to the highest of standards. Due to its modular construction, Isokern systems can be built in a shorter time and each system is similar with only slight variations in installation techniques.



# the Magnum Series



The Magnum Series has the largest opening available in the market with true finished openings of 36", 42" and 48" width with a standard 36" height. These larger openings are ideal for more dramatic interior and exterior applications. With the proprietary straight-back interior design and innovative contoured shelf, the Magnum Series is second to none in efficiency, performance and custom design flexibility.

- Indoor
- Outdoor
- Wood
- Natural Gas
- LP
- Combustible Floor Installation
- Custom Finished
- 2 Sided Availability
- Unvented
- Isokern DM Chimney
- Metal Chimney



# the Magnum Series 60" - 72"

The largest, listed fireplace available in the Isokern product line. With openings of sixty and seventy-two inches, this fireplace system is ideal for large custom homes, hotel or multi-housing lobbies and restaurants. Similar to the smaller Magnum fireplaces in the series, this fireplace system offers a straight-wall, shallow depth design for a more traditional fireplace look.



- Indoor
- Outdoor
- Wood
- Natural Gas
- LP
- Combustible Floor Installation
- Custom Finished
- 2 Sided Availability
- Unvented
- Isokern DM Chimney
- Metal Chimney

# the Standard Series



The Standard Series was the first Isokern introduced in North America over 15 years ago. With a proven record in satisfying a broad range of diverse projects, the Standard Series is still popular for interior and exterior fireplace designs. Like other Isokern fireplace systems the Standard Series can be custom finished to suit specific design and architectural needs.

- Indoor
- Outdoor
- Wood
- Natural Gas
- LP
- Combustible Floor Installation
- Custom Finished
- 2 Sided Availability
- Unvented
- Isokern DM Chimney
- Metal Chimney



# the Isokern B-Vent (IBV) Series

The Isokern B-Vent (IBV) is the only field assembled, modular masonry, gas only, top-vented appliance in the market today. It can be installed directly on a combustible floor system while still meeting ANSI Z21.50 guidelines. The IBV is a complete fireplace system including the required components, gas log burner, and a gas log set.



- Indoor
- Outdoor
- Wood
- Natural Gas
- LP
- Combustible Floor Installation
- Custom Finished
- 2 Sided Availability
- Unvented
- Isokern DM Chimney
- Metal Chimney

IS  FLAMES

# the Fire-Lite Series



*anchor plate with  
insuwool (required)*



- Indoor
- Outdoor
- Wood
- Natural Gas
- LP
- Combustible Floor Installation
- Custom Finished
- 2 Sided Availability
- Unvented
- Isokern DM Chimney
- Metal Chimney

The Fire-Lite Series is an application for the Standard Series fireplace allowing the fireplace system to be placed directly on a combustibile surface. This innovative application now enables architects, builders and designers to specify a fireplace system in projects that could not include one in the past.



## the Vent-Free Series

Enjoy the elegance of a true masonry fireplace in areas where a chimney may not be feasible with the Vent-Free Series. The Vent-Free Series can be installed in more non-traditional areas of the house such as under a window or within an entertainment area. With its large finished openings and double-sided availability, the Vent-Free Series can be used in any new home or remodeling design.



- Indoor
- Outdoor
- Wood
- Natural Gas
- LP
- Combustible Floor Installation
- Custom Finished
- 2 Sided Availability
- Unvented
- Isokern DM Chimney
- Metal Chimney

# the Patio Series



The Patio Series fireplace system is a smaller system, primarily for outdoor use. It possesses the same quality construction, reliability and efficiency as other Isokern fireplace systems. Able to be assembled by the homeowner or a professional, it is ideal for outdoor entertainment centers or living areas.

- Indoor
- Outdoor
- Wood
- Natural Gas
- LP
- Combustible Floor Installation
- Custom Finished
- 2 Sided Availability
- Unvented
- Isokern DM Chimney
- Metal Chimney



# Fireplace Accessories



## Earthcore Mortar

Earthcore Mortar adhesive is a thin-set compound used for interior or exterior use. It is an approved adhesive for Isokern fireplace systems and DM chimney components. General uses include ceramic tile, fabricated and cast stone products.

**earthcore**<sup>®</sup>  
INDUSTRIES, L.L.C.



## Firebrick

Firebrick is a refractory brick, capable of sustaining intense heat without fusion. It is usually made of fire clay or of siliceous material. Firebrick is not prone to expansion or contraction, helping to minimize cracking while under extreme heating conditions.

### *colors*



red



beige

(tumbled or square edged)

### *common patterns*



herringbone



stack bond



basket weave



running bond

# DM Chimney System



The DM or dual module chimney system is a component based chimney system that has an inner liner and an external casing. The modular design of this system allows for more diverse, lightweight chimney installations for fireplaces and other applications. Isokern DM chimney components are built with tongue and groove construction, enabling a tighter fit for maximum safety and consistent installation.



offset block



brick ledge

## Offset Block

Isokern Offset Blocks offer the ability to move vertical chimney from side to side to pass objects above the firebox. Many current architectural specifications require a diverse chimney system allowing for more custom designs.

## Brick Ledge

The Brick Ledge component is uniquely designed to allow a brick or stone chimney to exit out the roof for interior fireplace installations. This component eliminates the cost of having excess masonry carried down the footer.



# Chimney Accessories



## Copper Chimney Pots

Named after chess pieces, copper chimney tops add a crowning glory to your home. These copper chimney pots are designed to turn an ordinary flue and termination into a fabulous finish that will sit on your roof top for years to come. Available in copper and patina.



copper



patina



## Clay Chimney Pots

The perfect termination for any chimney system, clay chimney pots are traditional, simple and have been a mainstay in the fireplace and chimney industry for decades. Efficient, visually appealing and sturdy, clay chimney pots enhance the beauty of any home.



## Iso-Cap

Specifically designed to fit the Isokern 14" (fourteen inch) flue liner, Iso-Cap installation is minimal. Each Iso-Cap simply slides into the terminating flue and is sealed with silicone caulk. Installation is easy, clean and quick. Available in copper and stainless steel.



copper



stainless steel



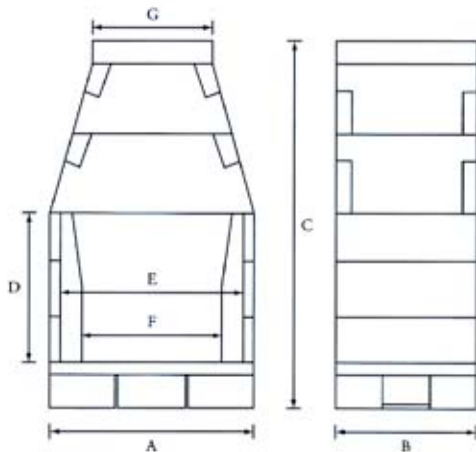
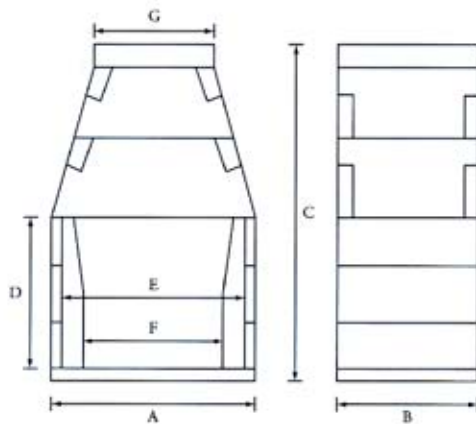
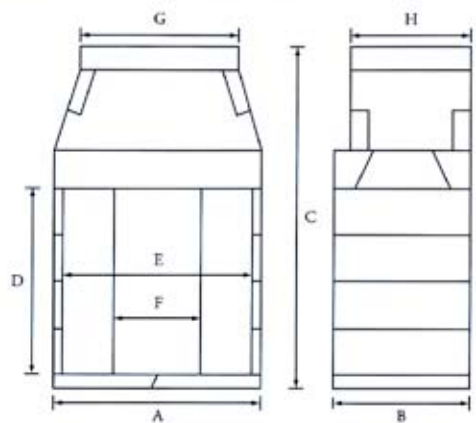
## Exhaust Fans

Exhaust fans are used to help control the draught efficiency of your fireplace or appliance improving air quality. These chimney fans feature automatic controls which guarantee optimum chimney draught irrespective of the placing, dimensions or height of the chimney.



# Finished Gallery





## Magnum Series

	A	B	C	D	E	F	G	H
36"	43"	28"	69 1/2"	38"	39"	19 1/4"	32 1/8"	25 1/4"
42"	48 1/2"	28"	69 1/2"	38"	44 1/2"	24 3/4"	32 1/8"	25 1/4"
48"	53"	28"	69 1/2"	38"	49"	29 3/4"	43"	25 1/4"
60"	73 1/2"	28"	85 1/2"	38"	69 1/2"	50"	54"	25 1/4"
72"	85 1/2"	28"	85 1/2"	38"	81 1/2"	62"	65 1/2"	25 1/4"

### minimum framing

36"	46" w x 71" h x 29 1/2" d
42"	52" w x 71" h x 29 1/2" d
48"	56" w x 71" h x 29 1/2" d
60"	77" w x 87" h x 29 1/2" d
72"	89" w x 87" h x 29 1/2" d

### weight\*

36"	1360 lbs.
42"	1450 lbs.
48"	1600 lbs.
60"	2700 lbs.
72"	2900 lbs.

## Standard Series & IBV Series

	A	B	C	D	E	F	G
36"	43"	25 1/4"	71"	32"	37"	27 1/8"	22 1/2"
46"	53"	25 1/4"	71"	32"	47"	37 1/2"	33 1/2"

### minimum framing

36"	46" w x 72" h x 27" d
46"	56" w x 72" h x 27" d

### weight\*

36"	1050 lbs.
46"	1150 lbs.

## Fire-Lite Series

	A	B	C	D	E	F	G
36"	43"	25 1/4"	79"	32"	37"	27 1/8"	22 1/2"
46"	53"	25 1/4"	79"	32"	47"	37 1/2"	33 1/2"

### minimum framing

36"	46" w x 80" h x 27" d
46"	56" w x 80" h x 27" d

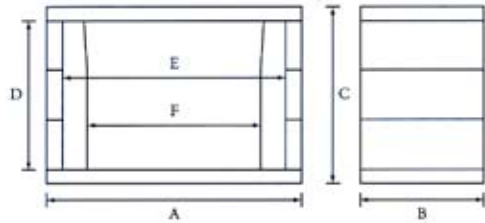
### weight\*

36"	1050 lbs.
46"	1150 lbs.

- Fire-Lite Series shown with 8" x 8" x 16" cement block support (may be substituted with metal stand)

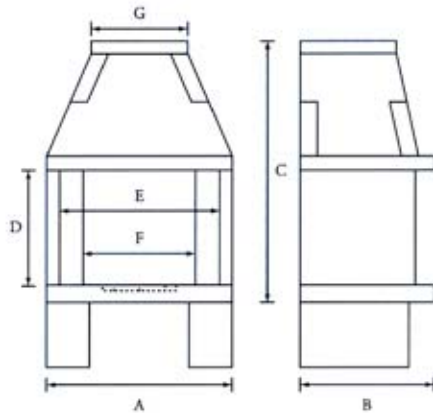
- Anchor Plate required (not shown)

# Technical Specifications



## Vent-Free Series

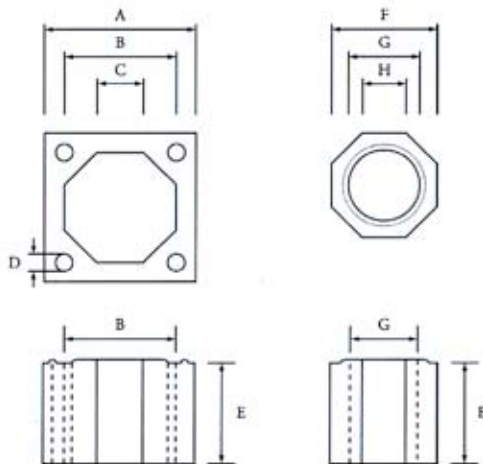
	A	B	C	D	E	F
36"	43"	25 1/4"	38"	32"	37"	27 1/8"
42"	49"	25 1/4"	38"	32"	42"	32 3/8"
46"	53"	25 1/4"	38"	32"	47"	37 5/8"
	minimum framing			weight*		
36"	44"w x 39"h x 26 3/4"d			36"	670 lbs.	
42"	50"w x 39"h x 26 3/4"d			42"	706 lbs.	
46"	54"w x 39"h x 26 3/4"d			46"	730 lbs.	



## Patio Series

	A	B	C	D	E	F	G
28"	33 3/4"	23 3/4"	49 1/2"	20 1/2"	28 1/2"	22 1/2"	17 1/4"
	weight*						
28"	660 lbs.						

- Patio Series shown with 8" x 8" x 16" cement block support  
 - DM44 masonry chimney required (not shown)



## DM Chimney Systems

	A	B	C	D	E	F	G	H
DM44	17 1/4"	12 3/4"	5 3/4"	2"	11 3/4"	12 1/4"	8"	5"
DM54	21 1/2"	17"	7"	2 3/4"	11 3/4"	16 1/2"	14"	6 3/4"
	weight*							
DM44	80 lbs. per foot							
DM54	120 lbs. per foot							

- 14" (inch) diameter flue shown left for reference only  
 - 12" (inch) diameter flue available

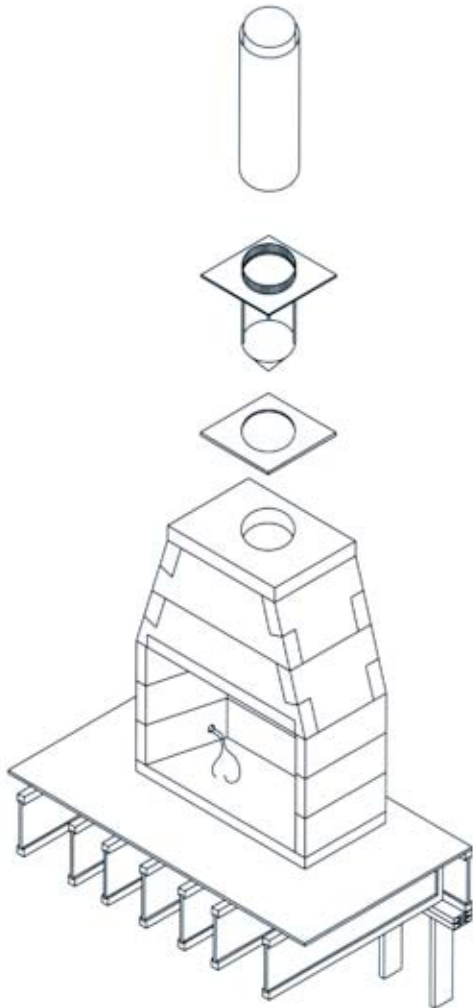
\* weight based on raw pumice material only



# System Concepts

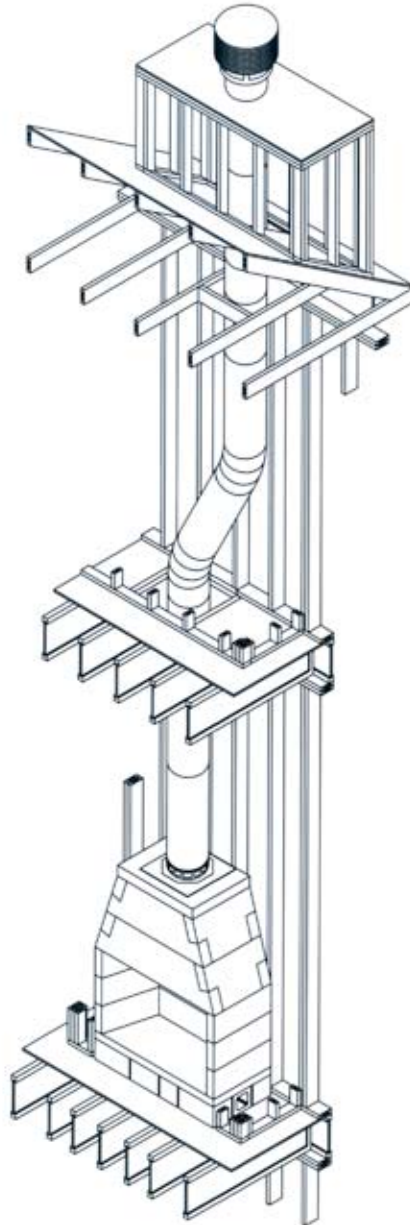
## Isokern System

Isokern B-Vent Series (gas logs not shown)



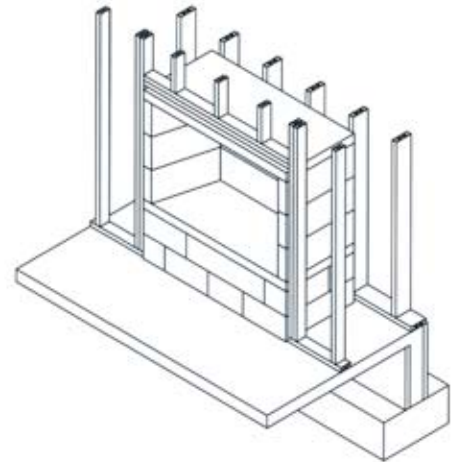
## Isokern System

Fire-Lite Series with metal chimney



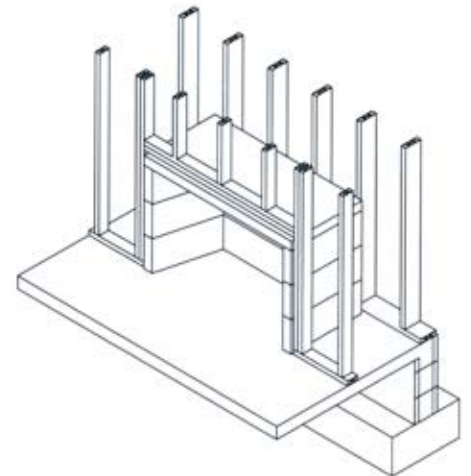
## Isokern System

Vent-Free Series with raised hearth



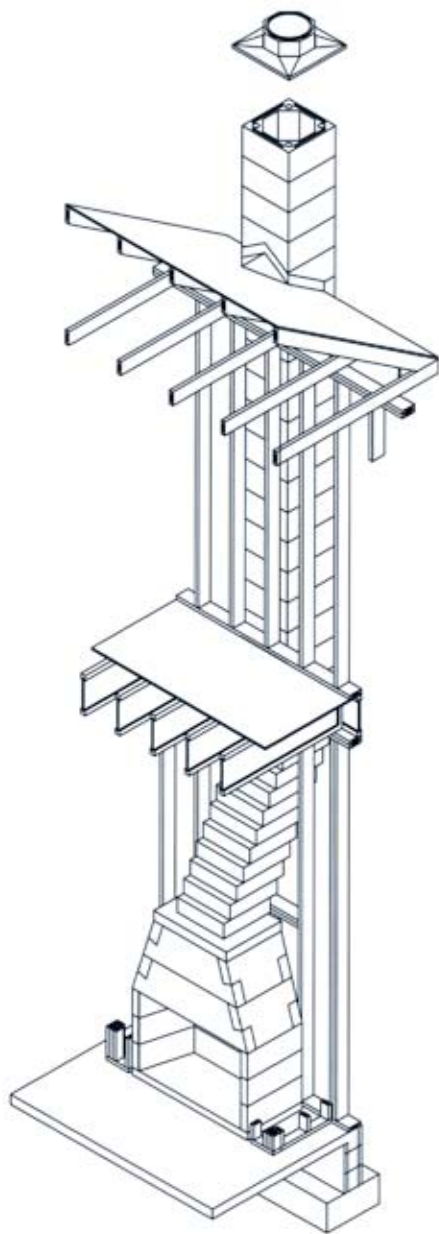
## Isokern System

Vent-Free Series with flush hearth



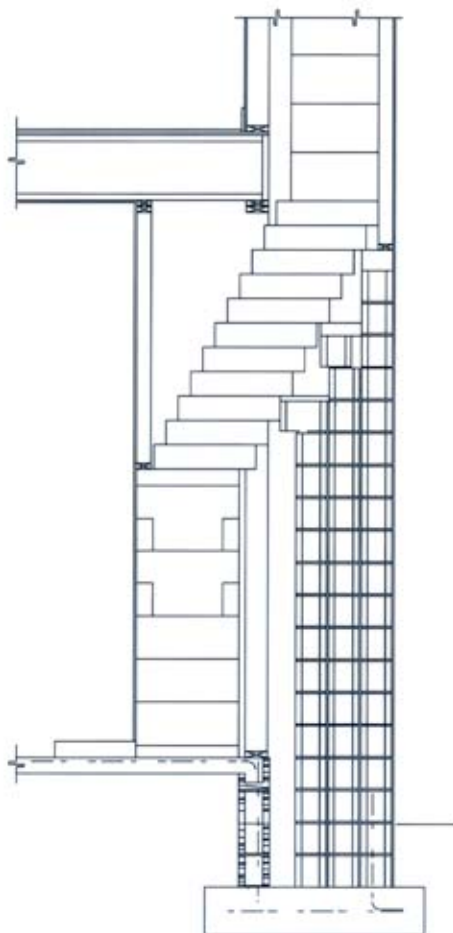
## Isokern System

DM Chimney with offset blocks



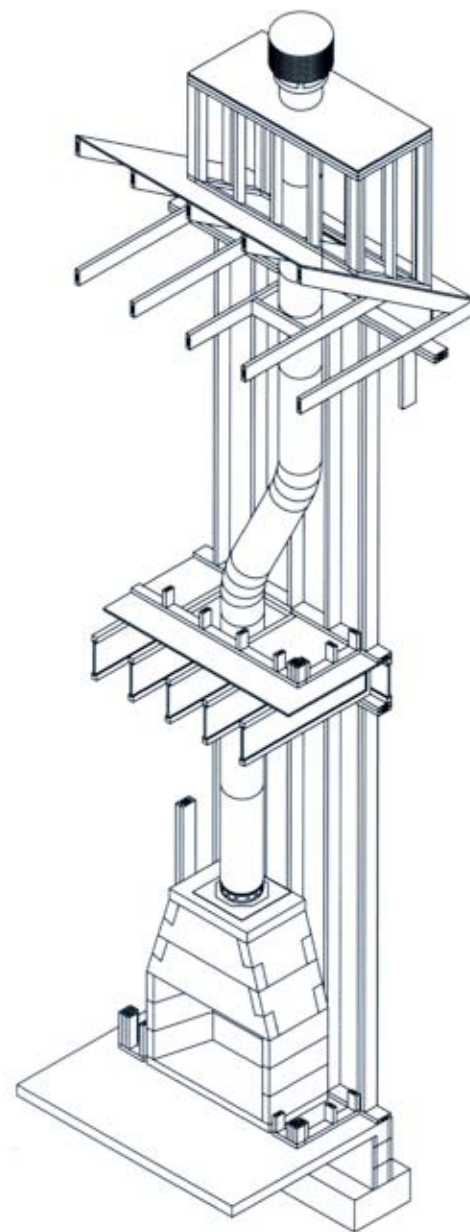
## Isokern System

DM Chimney and offset block support



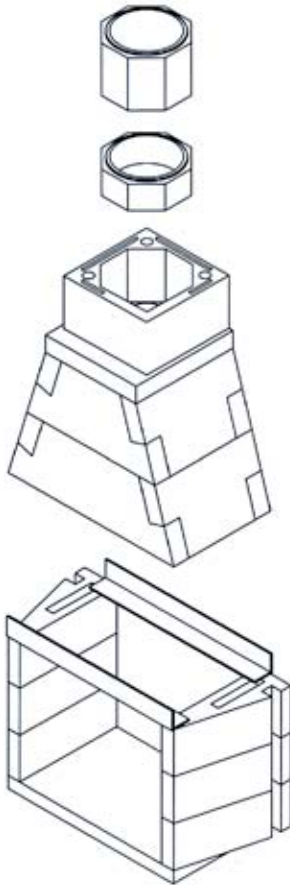
## Isokern System

Standard Series with metal chimney



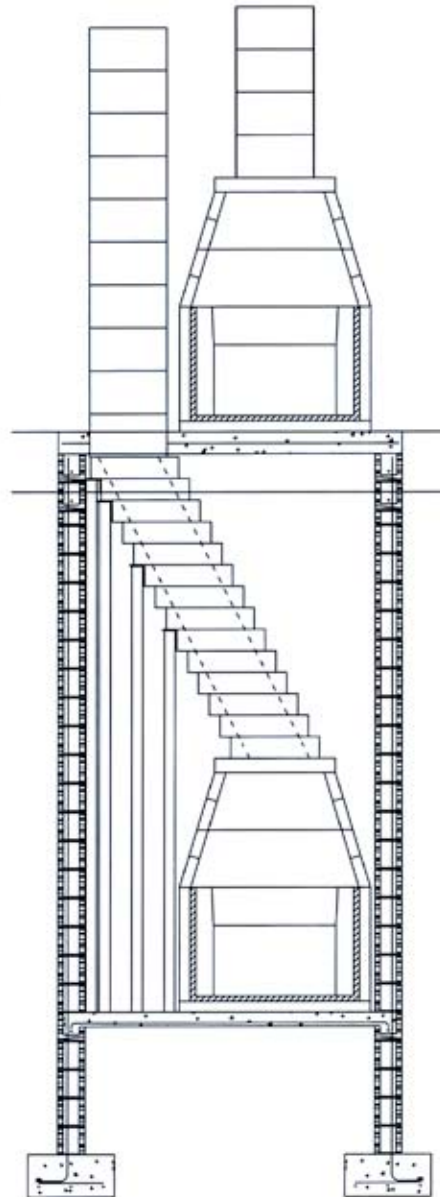
## Isokern System

Standard Series 36" See-thru application



## Isokern System

Stacked fireplace application



Technical concepts are for visual and reference purposes only. These drawings are not to be used for technical standards or installation guidelines. Please refer to specific installation manuals for further detailed technical information.

## We are proud to be affiliated with some of the best building professionals and businesses nationwide:

### Residential:

Arcadia Homes

Calvis Wyant Luxury Homes

Camelot Homes

Centex Custom Homes

Conger Builders

David Weekley Homes

Darling Homes

Finton Associates

Ginger Masonry

Greystone Homes

Hawkins-Welwood Homes

Ivan Bereznicki Associates

Kenneth Bealer Homes

Lennar Homes

Pineapple Corporation

Simonini Builders

Standard Pacific Homes

Taylor Woodrow

Toll Brothers

William Poole Designs

### Commercial:

Abercrombie & Fitch

Chevy's Tex Mex

Cracker Barrel

Hampton Inn

Houlihan's

Marriott Residences

The Plaza Hotel

Ritz Carlton

Trump Towers

Williamsburg Winery

Williams-Sonoma

## UL listings and building codes

UL 127

ICC ER 5017

UL 103HT

UL 1777

ANSI Z21.50

ULC S610

LA RR NO. 25483

NYC-MEA 241-90 E

SBCCI 9626

ANSI Z223.1



© 2005 - 2006 Earthcore Industries L.L.C.

# earthcore®

## INDUSTRIES, L.L.C.

Earthcore Industries is a Jacksonville, Florida based company that is the exclusive importer and distributor of Isokern brand fireplaces and chimney systems for North America. Along with the Isokern brand, Earthcore Industries also supplies and distributes other fine hearth related products. Since 1989, Earthcore Industries has established over 150 distributors and nine sales offices in specific cities across the United States. Sales offices are located in: Atlanta, Georgia; Boston, Massachusetts; Charlotte, North Carolina; Dallas, Texas; Houston, Texas; Jacksonville, Florida; Las Vegas, Nevada; Los Angeles, California and Phoenix, Arizona.

Distributed by:

**R-Pro Corp.**

195 Cane Creek Road  
Fletcher, NC 28732

[www.mwbrpro.com](http://www.mwbrpro.com)  
[GFRPRO@aol.com](mailto:GFRPRO@aol.com)

*All products listed in this catalog are supplied or distributed by Earthcore Industries L.L.C.*